

LED BALLOON LIGHT

150 WATT

SD-150W-KIT-G1



- ✔ Quick and easy setup
- ✔ Glare-free lighting
- ✔ Wide area coverage with 360° illumination
- ✔ Versatile light weight and compact design
- ✔ Engineered with 130 lumen per watt Samsung Chips
- ✔ 19,500 lumen, < 1.5 operating amps, 120 volt input
- ✔ Internal blower inflates balloon and cools LED panels
- ✔ Includes heavy-duty sliding tripod extending to 6.5'
- ✔ Optional mounts available: trolley mount, vehicle mount and pole clamp mount
- ✔ LED Balloon light cover is constructed of heat and water resistant, UV protected nylon ripstop
- ✔ Run multiple units on one 2000-watt generator
- ✔ UL approved, RoHS, FCC, CE; IP 42 rated
- ✔ 15' spec. grade power cord with 2-layer strain relief
- ✔ 3 year warranty
- ✔ Dimmable wireless remote
- ✔ Lightweight and portable



360°
19,500 lm
130 lm/W

ILLUMINATION

LUMEN



COLLAPSIBLE



LIGHT



FAST INSTALL



MOBILE



**INTERNATIONAL
CERTIFICATION**

LED BALLOON LIGHT

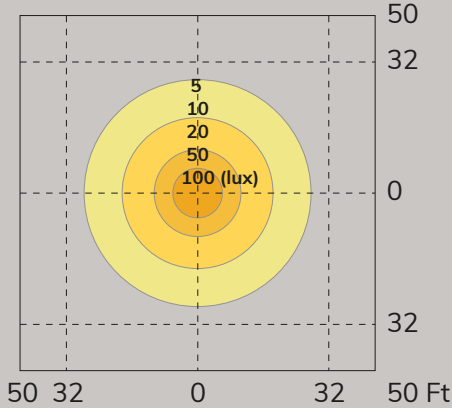
150 WATT

SD-150W-KIT-G1

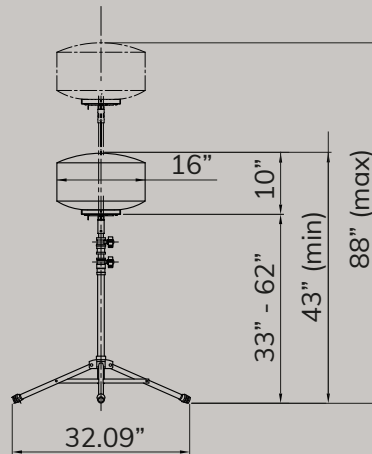


POLAR DIAGRAM (lux)

Height 6.58 Ft

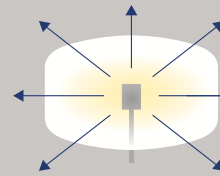


DIMENSIONS



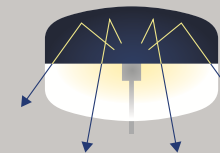
LIGHT COVER

Non-Reflective Light Cover



- Tear, heat, and weather-resistant nylon
- Full area light coverage

Reflective Light Cover (optional)



- Focus light on the ground
- Higher efficiency

THE SD-150W-KIT-G2 INCLUDES:

- ✔ 150 W SeeDevil™ LED Unit
- ✔ 6.5 ft Tripod
- ✔ Non-Reflective Light Cover
- ✔ Tripod Carry Bag
- ✔ LED Unit Carry Bag

