

LED BALLOON LIGHT

300 WATT

SD-300W-KIT-G2



- ✔ Quick and easy setup
- ✔ Glare-free lighting
- ✔ Wide area coverage with 360° illumination
- ✔ Equipped with four 75-watt LED panels rated at 50,000 hours; 30-watt downlight
- ✔ Engineered with 150 lumen per watt
- ✔ 42,000 lumens, < 3 operating amps, 120 volt input
- ✔ Select half-power or full-power light level to meet your needs
- ✔ Internal blower inflates balloon and cools LED panels
- ✔ Includes heavy-duty tripod extending to 9'
- ✔ Tripod is equipped with easy-to-use low-gear hand crank
- ✔ Optional mounts available: trolley mount, vehicle mount or pole clamp mount
- ✔ LED balloon light cover is constructed of heat and water resistant, UV protected nylon ripstop
- ✔ Run multiple units on one 2000-watt generator
- ✔ ETL approved, RoHS, FCC, CE; IP 65 rated
- ✔ 25' spec. grade power cord with 2 layer strain relief
- ✔ 3 year warranty
- ✔ Dimmable wireless remote
- ✔ Aluminum & stainless steel



360°
42,000 lm
150 lm/W

ILLUMINATION

LUMEN



COLLAPSIBLE



LIGHT



FAST INSTALL



MOBILE



**INTERNATIONAL
CERTIFICATION**

LED BALLOON LIGHT

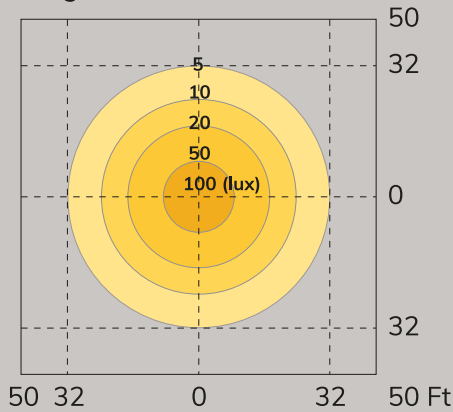
300 WATT

SD-300W-KIT-G2

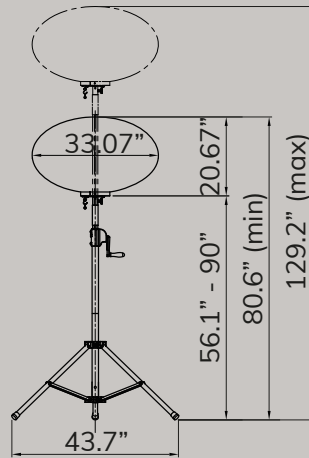


POLAR DIAGRAM (lux)

Height 6.58 Ft



DIMENSIONS

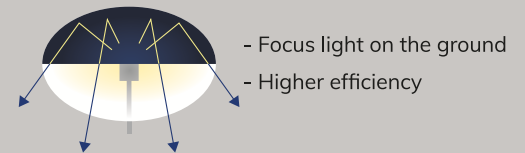


LIGHT COVER

Non-Reflective Light Cover



Reflective Light Cover (optional)



THE SD-300W-KIT-G2 INCLUDES:

- ☑ 300 W SeeDevil™ LED Unit
- ☑ 9 ft Tripod
- ☑ Non-Reflective Light Cover
- ☑ Tripod Carry Bag
- ☑ LED Unit Carry Bag

